



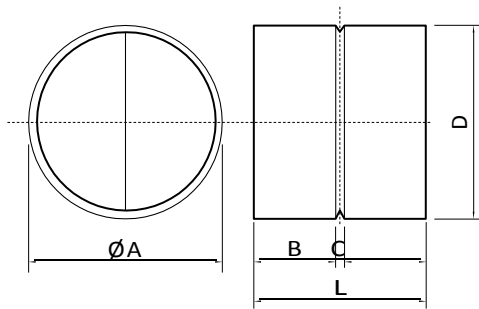
Use:
In ventilation systems

Construction:
Made of galvanized steel

Material:
Galvanized steel

Type and dimension marking:

Products range:



RSK

Symbol	A [mm]	L [mm]	B [mm]	C [mm]
100	100	88	38	38
125	125	88	38	38
150	150	88	38	38
160	160	88	38	38
200	200	88	38	38
250	250	128	59	59
315	315	128	59	59
355	355	197	75	75
400	400	197	75	75

Product marking:

RSK-250

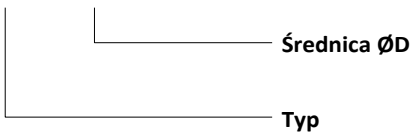


Diagram doboru:

