**Use:**

Supply and exhaust in low and medium pressure installation in non aggressive environment with relative humidity up to 70%. Recommended for horizontal air supply in rooms up to approximately 4m high.

Assembly:

With a central bolt on rectangular profile air ducts, in plenum boxes, in suspended ceilings and at the outlets of circular ducts. Fitting plenum box or KP adapter.

Construction:

Diffuser made from aluminium profiles.

Material:

Aluminum, alloy 6063

Surface finish

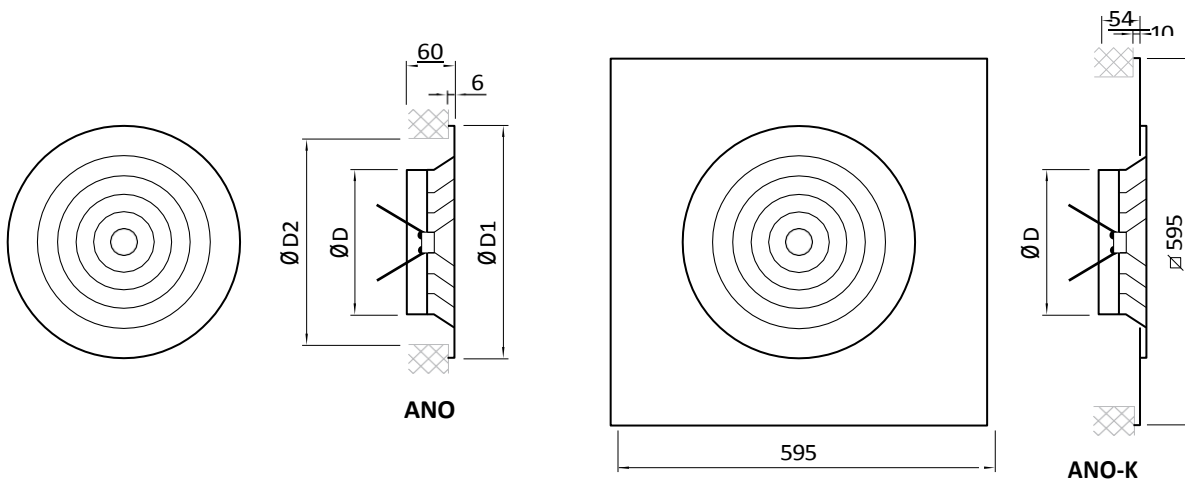
Standard RAL 9016, different RAL colour on demand

Air flow regulation:

Damper on the inlet of plenum box

Certificates:

Hygienic certificate: BK/K/0926/01/2018

Type and dimension marking:**Products range:**

Dimensions ANO [mm]	ØD [mm]	ØD1 [mm]	ØD2 [mm]
150	149	257	225
200	199	307	275
250	249	357	325
300	299	407	375
350	349	457	425

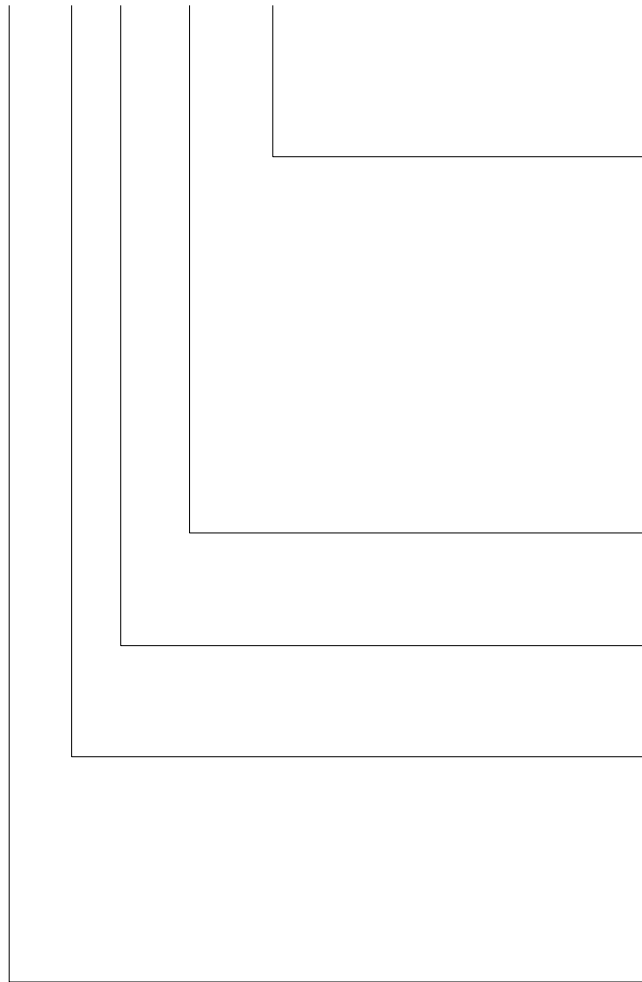
Table for selection circular diffusers ANO

Air stream volume Q [m³/h]	Dimensions	150	200	250	300	350
100	air speed V_{ef} [m/s]	2,75	1,2	0,77	0,54	0,4
	Δp [Pa]	7	3	2	2	2
	$L_{0,25}$ [m]	0,92	0,7	0,61	0,55	0,51
	L_{WA} [dB(A)]	<15	<15	<15	<15	<15
150	air speed V_{ef} [m/s]	4,12	1,79	1,16	0,81	0,6
	Δp [Pa]	13	4	3	2	2
	$L_{0,25}$ [m]	1,25	0,92	0,79	0,7	0,64
	L_{WA} [dB(A)]	<15	<15	<15	<15	<15
200	air speed V_{ef} [m/s]	5,5	2,39	1,55	1,08	0,81
	Δp [Pa]	22	6	3	3	2
	$L_{0,25}$ [m]	1,59	1,13	0,96	0,85	0,77
	L_{WA} [dB(A)]	<15	<15	<15	<15	<15
250	air speed V_{ef} [m/s]	6,87	2,99	1,94	1,35	1,01
	Δp [Pa]	33	8	4	3	3
	$L_{0,25}$ [m]	1,92	1,35	1,14	0,99	0,89
	L_{WA} [dB(A)]	32	18	<15	<15	<15
300	air speed V_{ef} [m/s]	8,25	3,59	2,32	1,61	1,21
	Δp [Pa]	47	10	5	4	3
	$L_{0,25}$ [m]	2,25	1,57	1,32	1,14	1,02
	L_{WA} [dB(A)]	37	24	<15	<15	<15
350	air speed V_{ef} [m/s]	9,62	4,18	2,71	1,88	1,41
	Δp [Pa]	63	13	7	4	3
	$L_{0,25}$ [m]	2,58	1,79	1,49	1,29	1,15
	L_{WA} [dB(A)]	41	28	18	<15	<15
400	air speed V_{ef} [m/s]	10,99	4,78	3,1	2,15	1,61
	Δp [Pa]	82	17	8	5	4
	$L_{0,25}$ [m]	2,91	2,01	1,67	1,43	1,28
	L_{WA} [dB(A)]	45	32	21	<15	<15
450	air speed V_{ef} [m/s]	12,37	5,38	3,49	2,42	1,81
	Δp [Pa]	103	21	10	6	4
	$L_{0,25}$ [m]	3,24	2,23	1,84	1,58	1,4
	L_{WA} [dB(A)]	48	35	25	16	<15
500	air speed V_{ef} [m/s]		5,98	3,87	2,69	2,02
	Δp [Pa]		26	12	7	5
	$L_{0,25}$ [m]		2,45	2,02	1,73	1,53
	L_{WA} [dB(A)]		38	28	19	<15
600	air speed V_{ef} [m/s]		7,17	4,65	3,23	2,42
	Δp [Pa]		36	16	9	6
	$L_{0,25}$ [m]		2,88	2,37	2,02	1,78
	L_{WA} [dB(A)]		43	33	24	17

Air stream volume Q [m³/h]	Dimensions	150	200	250	300	350
700	air speed V_{ef} [m/s]		8,37	5,42	3,37	2,82
	Δp [Pa]		48	21	11	7
	$L_{0,25}$ [m]		3,32	2,72	2,31	2,04
	L_{WA} [dB(A)]		47	37	29	21
800	air speed V_{ef} [m/s]			6,2	4,31	3,22
	Δp [Pa]			27	14	9
	$L_{0,25}$ [m]			3,08	2,61	2,29
	L_{WA} [dB(A)]			41	32	25
900	air speed V_{ef} [m/s]			6,97	4,84	3,67
	Δp [Pa]			34	17	10
	$L_{0,25}$ [m]			3,43	2,9	2,55
	L_{WA} [dB(A)]			44	36	29
1000	air speed V_{ef} [m/s]			7,75	3,38	4,03
	Δp [Pa]			41	21	13
	$L_{0,25}$ [m]			3,78	3,19	2,8
	L_{WA} [dB(A)]			8,52	39	32
1100	air speed V_{ef} [m/s]			5,08	5,92	4,43
	Δp [Pa]			29	25	15
	$L_{0,25}$ [m]			4,13	3,49	3,05
	L_{WA} [dB(A)]			50	41	34
1200	air speed V_{ef} [m/s]				6,46	4,84
	Δp [Pa]				29	17
	$L_{0,25}$ [m]				3,78	3,31
	L_{WA} [dB(A)]				44	37
1300	air speed V_{ef} [m/s]				7	5,24
	Δp [Pa]				34	20
	$L_{0,25}$ [m]				4,07	3,56
	L_{WA} [dB(A)]				46	39
1500	air speed V_{ef} [m/s]					6,05
	Δp [Pa]					26
	$L_{0,25}$ [m]					4,07
	L_{WA} [dB(A)]					43
1700	air speed V_{ef} [m/s]					6,85
	Δp [Pa]					33
	$L_{0,25}$ [m]					4,58
	L_{WA} [dB(A)]					46
2000	air speed V_{ef} [m/s]					7,66
	Δp [Pa]					41
	$L_{0,25}$ [m]					5,08
	L_{WA} [dB(A)]					50

Product marking ANO

ANO-K-200-RAL-SR/Ø

**Assmably:**

Standard - plenum box or adapter KP

Plenum box / diameter:

SR - plenum box

SRP - plenum box with damper

SRPw - plenum box with damper regulation inside

SRIP - plenum box with damper and isolation

SRIPw - plenum box with damper regulation inside and isolation

Z - additional assmably elements

Finish surface:

Standard - RAL 9016

Dimensions:

Dimensions Ø - Diffusers dimensions

Ceiling system:

K - dimensions 595x595

Material:

Standard - aluminium painted RAL 9016

Typ nawiewnika**Order's example:**

ANO-160-SR/Ø125

Diffuser dimension Ø160, with plenum box Ø125, standard RAL 9016. If one does not write all details RDJ

Klima will make standard one.